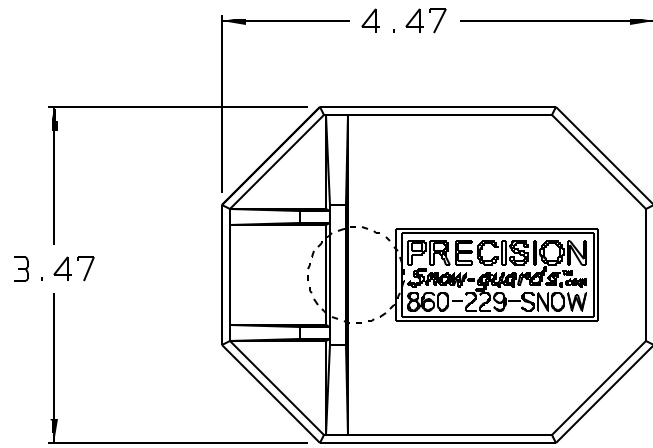
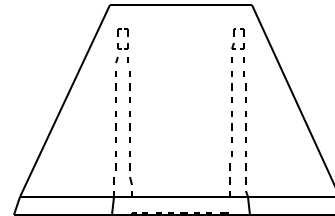
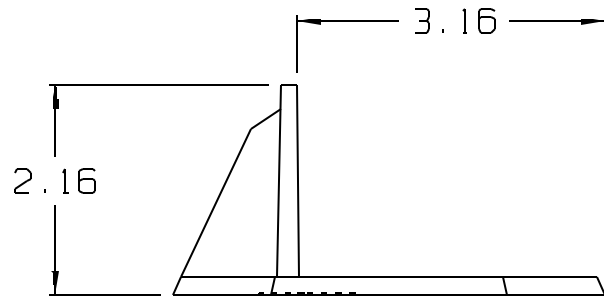


REV	DATE	ECN	DESCRIPTION	BY



NOTE:

- 1.) MAT: UV STABLEIZED POLYCARB.
(CLEAR AND MULTI COLOR)
- 2.) SPRUE BUSHING 1" DIA. $\phi = 5/32"$
RAD = $1/2"$.
- 3.) DO NOT ADD SHRINKAGE.
- 4.) MAX RADII = .015.



REFERENCE DRWGS:	UNLESS OTHERWISE SPECIFIED	CONCENTRICITY \odot	DRAWN BY	DATE:	PRECISION MOLDING & TOOL	
	LINEAR: .X $\pm .1$	FLATNESS ∇	MHT	10/29/02	87 Spring Lane	
	.XX $\pm .02$	CIRCULARITY \bigcirc	APPROVED BY:	DATE:	Plainville, CT. 06062	
	.XXX $\pm .010$	CYLINDRICITY X	BW	10/29/02	TITLE: SNOWKING	
	.XXXX $\pm .0010$	LINEAR PROFILE \wedge	MAT:		DRAWING NUMBER:	
	FRACTIONS: $\pm 1/64$	SURFACE PROFILE \triangle	:		REV:	
	ANGLES: $\pm 1/2^\circ$	PERPENDICULARITY \perp	SHEET NO.	CONT. ON NO.		
A	SCALE:	ANGULARITY \sphericalangle	1	F		
		PARALLELISM \parallel				
		CIRCULAR RUNOUT M				
		TOTAL RUNOUT M				
		POSITION \oplus				